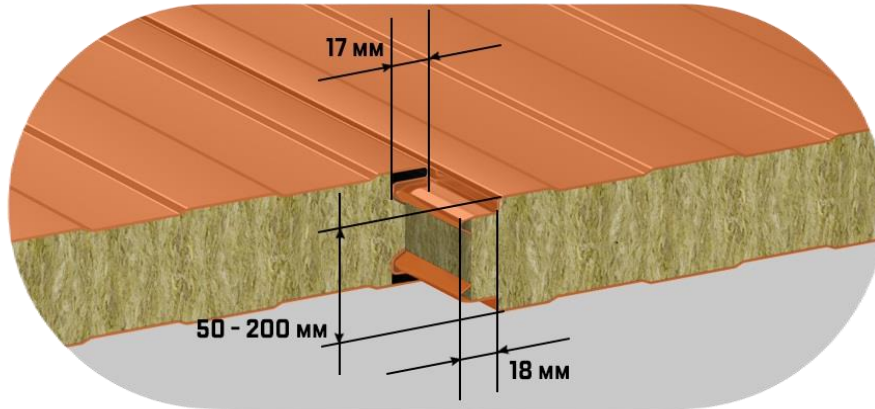


**WALL AND ROOF MINERAL WOOL SANDWICH PANELS. CLASS 2  
 WITH Z-LOCK AND SECRET FIX LOCK**

ALL PRICES IN US DOLLARS, VAT NOT INCLUDED

14.12.2023

**WALL PANELS**



**WITH Z-LOCK**

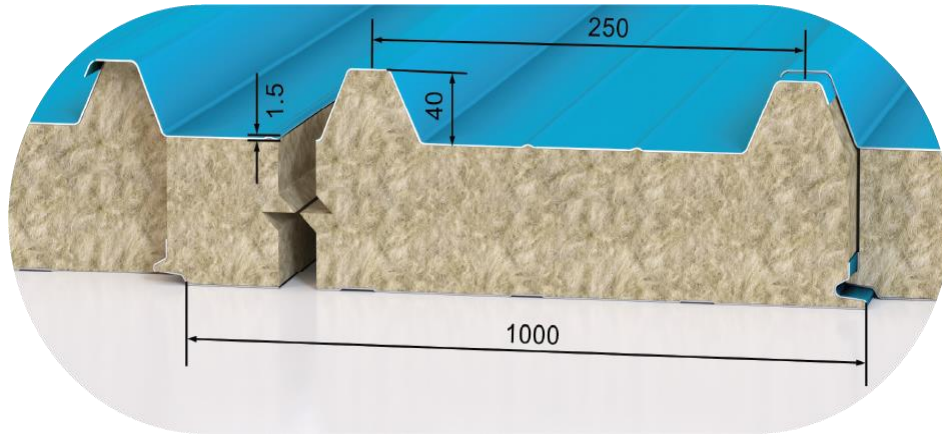
EXTERIOR COATING		PANEL'S THICKNESS, MM / Z-LOCK							
SIDE A	SIDE B	50	60	80	100	120	150	170	200
FIRE RESISTANCE CLASS		Ei 30	Ei 60	Ei 90	Ei 150	Ei 180			
<b>RAL</b>	RAL	26,46	28,23	31,85	35,24	38,72	44,02	47,39	52,85
	ZN	25,50	27,28	30,89	34,28	37,76	43,06	46,43	51,89
	AISI 304	41,19	42,97	46,58	49,98	53,45	58,75	62,13	67,58
	AISI 430	35,81	37,58	41,20	44,59	48,07	53,37	56,74	62,20
	PVDF	30,58	32,36	35,98	39,37	42,84	48,14	51,52	56,98
	PU	33,42	35,19	38,81	42,20	45,68	50,98	54,35	59,81
	FOOD SAFE	38,33	40,11	43,73	47,12	50,59	55,89	59,27	64,73
<b>ZN</b>	RAL	25,50	27,28	30,89	34,28	37,76	43,06	46,43	51,89
	ZN	24,54	26,32	29,93	33,33	36,80	42,10	45,48	50,93
	AISI 304	40,23	42,01	45,63	49,02	52,49	57,79	61,17	66,63
	AISI 430	34,85	36,63	40,24	43,63	47,11	52,41	55,78	61,24
	PVDF	29,63	31,40	35,02	38,41	41,88	47,18	50,56	56,02
	PU	32,46	34,23	37,85	41,24	44,72	50,02	53,39	58,85
	FOOD SAFE	37,38	39,15	42,77	46,16	49,63	54,93	58,31	63,77
<b>AISI 304</b>	RAL	41,19	42,97	46,58	49,98	53,45	58,75	62,13	67,58
	ZN	40,23	42,01	45,63	49,02	52,49	57,79	61,17	66,63
	AISI 304	55,93	57,70	61,32	64,71	68,18	73,48	76,86	82,32
	AISI 430	50,54	52,32	55,93	59,33	62,80	68,10	71,48	76,93
	PVDF	45,32	47,09	50,71	54,10	57,58	62,88	66,25	71,71
	PU	48,15	49,93	53,54	56,93	60,41	65,71	69,08	74,54
	FOOD SAFE	53,07	54,84	58,46	61,85	65,33	70,63	74,00	79,46
<b>AISI 430</b>	RAL	35,81	37,58	41,20	44,59	48,07	53,37	56,74	62,20
	ZN	34,85	36,63	40,24	43,63	47,11	52,41	55,78	61,24
	AISI 304	50,54	52,32	55,93	59,33	62,80	68,10	71,48	76,93
	AISI 430	45,16	46,93	50,55	53,94	57,42	62,72	66,09	71,55
	PVDF	39,93	41,71	45,33	48,72	52,19	57,49	60,87	66,33
	PU	42,77	44,54	48,16	51,55	55,03	60,33	63,70	69,16
	FOOD SAFE	47,68	49,46	53,08	56,47	59,94	65,24	68,62	74,08

	RAL	30,58	32,36	35,98	39,37	42,84	48,14	51,52	56,98
	ZN	29,63	31,40	35,02	38,41	41,88	47,18	50,56	56,02
PVDF	AISI 304	45,32	47,09	50,71	54,10	57,58	62,88	66,25	71,71
	AISI 430	39,93	41,71	45,33	48,72	52,19	57,49	60,87	66,33
	PVDF	34,71	36,48	40,10	43,49	46,97	52,27	55,64	61,10
	PU	37,54	39,32	42,93	46,33	49,80	55,10	58,48	63,93
	FOOD SAFE	42,46	44,23	47,85	51,24	54,72	60,02	63,39	68,85
		RAL	33,42	35,19	38,81	42,20	45,68	50,98	54,35
	ZN	32,46	34,23	37,85	41,24	44,72	50,02	53,39	58,85
PU (POLYURETHANE)	AISI 304	48,15	49,93	53,54	56,93	60,41	65,71	69,08	74,54
	AISI 430	42,77	44,54	48,16	51,55	55,03	60,33	63,70	69,16
	PVDF	37,54	39,32	42,93	46,33	49,80	55,10	58,48	63,93
	PU	40,38	42,15	45,77	49,16	52,63	57,93	61,31	66,77
	FOOD SAFE	45,29	47,07	50,68	54,08	57,55	62,85	66,23	71,68
	FOOD SAFE	FOOD SAFE	50,21	51,98	55,60	58,99	62,47	67,77	71,14

WITH SECRET FIX LOCK

EXTERIOR COATING		PANEL'S THICKNESS, MM / SECRET FIX				
SIDE A	SIDE B	60	80	100	120	150
FIRE RESISTANCE CLASS		EI 30	EI 60	EI 90	EI 150	EI 180
RAL	RAL	30,67	34,57	38,01	41,55	46,99
	ZN	29,30	33,20	36,64	40,18	45,63
	AISI 304	51,72	55,62	59,06	62,60	68,04
	AISI 430	44,03	47,93	51,37	54,91	60,35
	PVDF	36,56	40,46	43,90	47,44	52,88
	PU	40,61	44,51	47,95	51,49	56,93
	FOOD SAFE	47,63	51,53	54,98	58,52	63,96
ZN	RAL	29,30	33,20	36,64	40,18	45,63
	ZN	27,93	31,83	35,28	38,82	44,26
	AISI 304	50,35	54,25	57,69	61,23	66,68
	AISI 430	42,66	46,56	50,00	53,54	58,98
	PVDF	35,19	39,09	42,53	46,08	51,52
	PU	39,24	43,14	46,58	50,13	55,57
	FOOD SAFE	46,27	50,17	53,61	57,15	62,59
AISI 304	RAL	51,72	55,62	59,06	62,60	68,04
	ZN	50,35	54,25	57,69	61,23	66,68
	AISI 304	72,77	76,67	80,11	83,65	89,09
	AISI 430	65,08	68,98	72,42	75,96	81,40
	PVDF	57,61	61,51	64,95	68,49	73,93
	PU	61,66	65,56	69,00	72,54	77,98
	FOOD SAFE	68,68	72,58	76,03	79,57	85,01
AISI 430	RAL	44,03	47,93	51,37	54,91	60,35
	ZN	42,66	46,56	50,00	53,54	58,98
	AISI 304	65,08	68,98	72,42	75,96	81,40
	AISI 430	57,38	61,28	64,73	68,27	73,71
	PVDF	49,92	53,82	57,26	60,80	66,24
	PU	53,97	57,87	61,31	64,85	70,29
	FOOD SAFE	60,99	64,89	68,33	71,88	77,32
PVDF	RAL	36,56	40,46	43,90	47,44	52,88
	ZN	35,19	39,09	42,53	46,08	51,52
	AISI 304	57,61	61,51	64,95	68,49	73,93
	AISI 430	49,92	53,82	57,26	60,80	66,24
	PVDF	42,45	46,35	49,79	53,33	58,78
	PU	46,50	50,40	53,84	57,38	62,83
	FOOD SAFE	53,53	57,43	60,87	64,41	69,85
PU (POLYURETHANE)	RAL	40,61	44,51	47,95	51,49	56,93
	ZN	39,24	43,14	46,58	50,13	55,57
	AISI 304	61,66	65,56	69,00	72,54	77,98
	AISI 430	53,97	57,87	61,31	64,85	70,29
	PVDF	46,50	50,40	53,84	57,38	62,83
	PU	50,55	54,45	57,89	61,43	66,88
	FOOD SAFE	57,58	61,48	64,92	68,46	73,90
FOOD SAFE	FOOD SAFE	64,60	68,50	71,94	75,48	80,93

## ROOF PANELS



EXTERIOR COATING		PANELS' THICKNESS, MM							
SIDE A	SIDE B	50	60	80	100	120	150	170	200
FIRE RESISTANCE CLASS		RE 15	RE 30	REI 45	REI 60				
<b>RAL</b>	RAL	30,94	32,63	36,27	39,63	43,02	48,08	51,71	56,78
	ZN	29,83	31,52	35,15	38,52	41,90	46,97	50,59	55,66
	AISI 304	48,15	49,84	53,48	56,84	60,23	65,29	68,92	73,98
	AISI 430	41,87	43,56	47,19	50,56	53,94	59,01	62,63	67,70
	PVDF	35,76	37,45	41,08	44,45	47,83	52,90	56,53	61,59
	PU	39,07	40,76	44,39	47,76	51,14	56,21	59,83	64,90
	FOOD SAFE	44,82	46,51	50,14	53,51	56,89	61,96	65,58	70,65
<b>ZN</b>	RAL	29,83	31,52	35,15	38,52	41,90	46,97	50,59	55,66
	ZN	28,71	30,40	34,03	37,40	40,78	45,85	49,48	54,54
	AISI 304	47,03	48,73	52,36	55,73	59,11	64,18	67,80	72,87
	AISI 430	40,75	42,44	46,08	49,44	52,83	57,89	61,52	66,58
	PVDF	34,64	36,33	39,97	43,33	46,72	51,78	55,41	60,48
	PU	37,95	39,64	43,28	46,64	50,03	55,09	58,72	63,78
	FOOD SAFE	43,70	45,39	49,03	52,39	55,78	60,84	64,47	69,53
<b>AISI 304</b>	RAL	48,15	49,84	53,48	56,84	60,23	65,29	68,92	73,98
	ZN	47,03	48,73	52,36	55,73	59,11	64,18	67,80	72,87
	AISI 304	65,36	67,05	70,68	74,05	77,43	82,50	86,13	91,19
	AISI 430	59,08	60,77	64,40	67,77	71,15	76,22	79,84	84,91
	PVDF	52,97	54,66	58,29	61,66	65,04	70,11	73,73	78,80
	PU	56,28	57,97	61,60	64,97	68,35	73,42	77,04	82,11
	FOOD SAFE	62,03	63,72	67,35	70,72	74,10	79,17	82,79	87,86
<b>AISI 430</b>	RAL	41,87	43,56	47,19	50,56	53,94	59,01	62,63	67,70
	ZN	40,75	42,44	46,08	49,44	52,83	57,89	61,52	66,58
	AISI 304	59,08	60,77	64,40	67,77	71,15	76,22	79,84	84,91
	AISI 430	52,79	54,48	58,12	61,48	64,87	69,93	73,56	78,63
	PVDF	46,68	48,38	52,01	55,38	58,76	63,83	67,45	72,52
	PU	49,99	51,68	55,32	58,68	62,07	67,13	70,76	75,83
	FOOD SAFE	55,74	57,43	61,07	64,43	67,82	72,88	76,51	81,58
<b>PVDF</b>	RAL	35,76	37,45	41,08	44,45	47,83	52,90	56,53	61,59
	ZN	34,64	36,33	39,97	43,33	46,72	51,78	55,41	60,48
	AISI 304	52,97	54,66	58,29	61,66	65,04	70,11	73,73	78,80
	AISI 430	46,68	48,38	52,01	55,38	58,76	63,83	67,45	72,52
	PVDF	40,58	42,27	45,90	49,27	52,65	57,72	61,34	66,41
	PU	43,88	45,58	49,21	52,58	55,96	61,03	64,65	69,72
	FOOD SAFE	49,63	51,33	54,96	58,33	61,71	66,78	70,40	75,47
<b>PU (POLYURETHANE)</b>	RAL	39,07	40,76	44,39	47,76	51,14	56,21	59,83	64,90
	ZN	37,95	39,64	43,28	46,64	50,03	55,09	58,72	63,78
	AISI 304	56,28	57,97	61,60	64,97	68,35	73,42	77,04	82,11
	AISI 430	49,99	51,68	55,32	58,68	62,07	67,13	70,76	75,83
	PVDF	43,88	45,58	49,21	52,58	55,96	61,03	64,65	69,72
	PU	47,19	48,88	52,52	55,88	59,27	64,33	67,96	73,03
	FOOD SAFE	52,94	54,63	58,27	61,63	65,02	70,08	73,71	78,78
<b>FOOD SAFE</b>	FOOD SAFE	58,69	60,38	64,02	67,38	70,77	75,83	79,46	84,53

PH INSULATION MANUFACTURES CLASS 2 SANDWICH PANELS WITH MINERAL WOOL  
ON PU.MA CONTINUOUS ITALIAN LINE

- Mineral Wool Density – 95 kg/m<sup>3</sup>
- You can request sandwich panels with high-quality standard metal of leading Russian and world suppliers Severstal, NLMK, MMK, Arcelor, SSAB, Lampre, etc. with polymer coating.
- Or you can request the special metal according to your requirements:
  - wide range of colors according to RAL chart for polymer coating,
  - various coatings: Polyester, Pural, PVDF, or Food Safe Laminate (a special 110 µm thick coating for food products storage and processing facilities: meat and fish processing plants, dairy farming, etc).
- You can also choose the panels with flat surface or with ribs for elevated sturdiness.
- All PH Insulation panels are delivered wrapped in a surface-protection plastic film for transportation.



+7 [495] 240-83-14

[WWW.PROFHOLOD.COM](http://WWW.PROFHOLOD.COM)